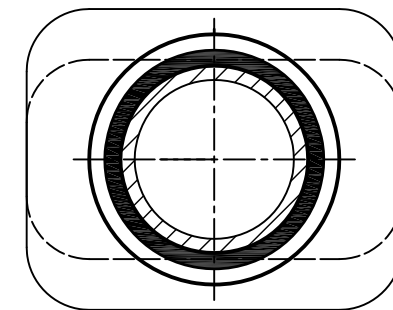
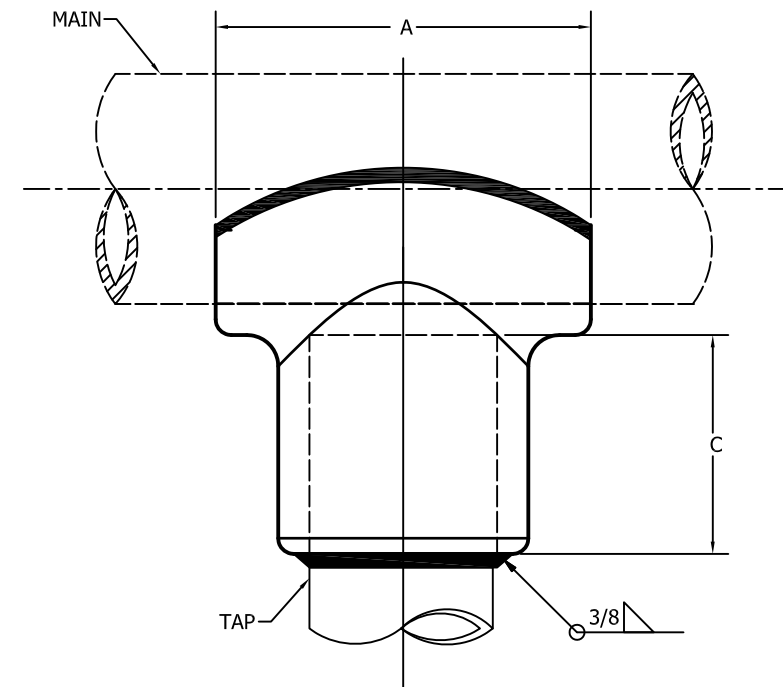
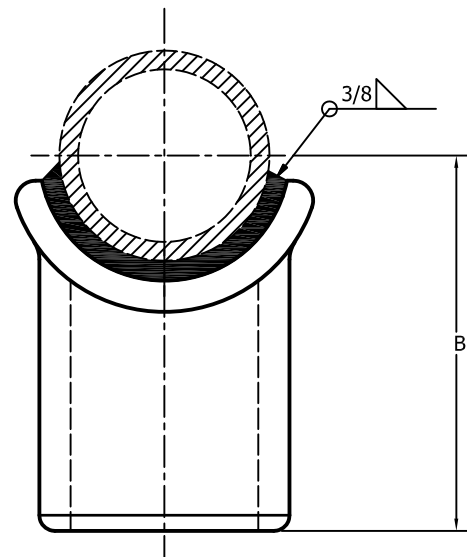


CATALOG NUMBER	CONDUCTOR SIZE I.P.S		DIMENSION IN INCHES		
	MAIN	TAP	A	B	C
WTT-0606	3/4"	3/4"	2.125	1.688	.750
WTT-0620	3/4"	2"	3.750	2.188	1.250
WTT-1006	1"	3/4"	2.125	1.813	.750
WTT-1010	1"	1"	2.375	1.813	.750
WTT-1206	1 1/4"	3/4"	2.125	2.000	.750
WTT-1210	1 1/4"	1"	3.000	2.531	1.313
WTT-1212	1 1/4"	1 1/4"	2.750	2.250	1.000
WTT-1220	1 1/4"	2"	3.750	2.500	1.250
WTT-1406	1 1/2"	3/4"	2.125	2.125	.750
WTT-1410	1 1/2"	1"	2.375	2.125	.750
WTT-1412	1 1/2"	1 1/4"	3.438	2.844	1.500
WTT-1414	1 1/2"	1 1/2"	3.250	2.375	1.000
WTT-1424	1 1/2"	2 1/2"	4.188	3.344	2.000
WTT-2004	2"	1/2"	3.250	2.500	.875
WTT-2006	2"	3/4"	3.250	2.688	1.063
WTT-2010	2"	1"	2.750	2.344	.750
WTT-2012	2"	1 1/4"	3.250	3.125	1.500
WTT-2014	2"	1 1/2"	3.250	2.625	1.000
WTT-2020	2"	2"	3.750	2.875	1.250
WTT-2030	2"	3"	5.000	3.344	1.750
WTT-2040	2"	4"	6.000	3.875	2.250
WTT-2406	2 1/2"	3/4"	2.500	2.938	1.063
WTT-2410	2 1/2"	1"	3.250	3.125	1.250
WTT-2412	2 1/2"	1 1/4"	3.250	3.375	1.500
WTT-2414	2 1/2"	1 1/2"	3.500	3.375	1.500
WTT-2420	2 1/2"	2"	4.000	3.594	1.750
WTT-2424	2 1/2"	2 1/2"	4.000	3.375	1.500
WTT-2440	2 1/2"	4"	6.000	4.094	2.250
WTT-3006	3"	3/4"	2.875	3.250	1.000
WTT-3010	3"	1"	2.375	3.000	.750
WTT-3012	3"	1 1/4"	3.500	3.750	1.500
WTT-3014	3"	1 1/2"	3.500	3.750	1.500
WTT-3020	3"	2"	4.000	4.000	1.750
WTT-3024	3"	2 1/2"	4.313	4.250	2.000
WTT-3030	3"	3"	5.000	4.000	1.750
WTT-3040	3"	4"	5.438	4.219	2.000
WTT-3060	3"	6"	7.688	5.250	3.000




**NOTES:**

1. TYPE WTT IS A SINGLE TAP FIELD WELDED TEE CONNECTOR.
2. MATERIAL: 356-T6 .
3. THESE FITTINGS ARE SUITABLE FOR EHV USE ON CONDUCTORS THAT HAVE DEMONSTRATED CORONA FREE PERFORMANCE AT THE DESIRED VOLTAGE LEVELS.
4. WHEN USED AT 765 KV ADD 765 TO CATALOG NO. (EXAMPLE: WTT-6060-765)

70093	06/13/2017	AS	HG	HPS	<b>HUBBELL® POWER SYSTEMS</b>				
EC #	DATE	CHG BY	RESP ENG		<b>WELDED ALUMINUM TEE CONNECTOR</b>				
DESC OF DWG: DRAWING CREATED IN AUTOCAD				CONFIDENTIAL: THIS DRAWING AND ITS CONTENTS ARE CONFIDENTIAL AND THE EXCLUSIVE PROPERTY OF HUBBELL POWER SYSTEMS. NO PUBLICATION, DISTRIBUTION OR COPIES MAY BE MADE WITHOUT THE WRITTEN CONSENT OF HUBBELL POWER SYSTEMS. HUBBELL POWER SYSTEMS UNPUBLISHED ALL RIGHTS RESERVED UNDER THE COPYRIGHT LAWS					
REASON (S) FOR CHANGE: DISPOSITION OF MAT'L:				TITLE <b>WELDED ALUMINUM TEE CONNECTOR</b>	SIZE <b>C</b>	DWG NO. <b>C-1297</b>	CAT / PART / ASSY NO. <b>WTT- (SEE TABLE)</b>	REV <b>52</b>	
				DO NOT SCALE THIS DRAWING	DRN BY <b>TB</b>	DATE <b>10/2/56</b>	SHEET <b>1 OF 2</b>		

CATALOG NUMBER	CONDUCTOR SIZE I.P.S		DIMENSION IN INCHES		
	MAIN	TAP	A	B	C
WTT-3406	3 1/2"	3/4"	2.500	3.250	1.000
WTT-3410	3 1/2"	1"	3.438	3.781	1.313
WTT-3412	3 1/2"	1 1/4"	3.438	3.969	1.500
WTT-3414	3 1/2"	1 1/2"	3.750	4.000	1.500
WTT-3420	3 1/2"	2"	4.000	4.250	1.750
WTT-3424	3 1/2"	2 1/2"	4.375	4.500	2.000
WTT-3430	3 1/2"	3"	5.500	4.969	2.500
WTT-3434	3 1/2"	3 1/2"	5.563	4.250	1.750
WTT-4010	4"	1"	2.375	2.125	.750
WTT-4012	4"	1 1/4"	3.000	4.250	1.500
WTT-4014	4"	1 1/2"	4.000	3.875	1.125
WTT-4020	4"	2"	4.000	4.750	2.000
WTT-4024	4"	2 1/2"	4.375	4.750	2.000
WTT-4030	4"	3"	5.875	5.250	2.500
WTT-4034	4"	3 1/2"	5.500	4.719	2.000
WTT-4040	4"	4"	6.063	4.750	2.000
WTT-4050	4"	5"	7.000	6.031	2.750
WTT-4430	4 1/2"	3"	5.000	4.750	1.750
WTT-4444	4 1/2"	4 1/2"	6.750	5.500	2.500
WTT-5010	5"	1"	3.000	4.281	1.000
WTT-5012	5"	1 1/4"	3.000	4.781	1.500
WTT-5014	5"	1 1/2"	3.250	4.281	1.000
WTT-5020	5"	2"	4.000	5.313	2.000
WTT-5024	5"	2 1/2"	4.313	4.750	1.500
WTT-5030	5"	3"	5.625	5.813	2.500
WTT-5034	5"	3 1/2"	5.625	5.813	2.500
WTT-5040	5"	4"	6.125	5.750	2.500
WTT-5050	5"	5"	7.250	5.250	2.000
WTT-6006	6"	3/4"	2.875	4.938	1.063
WTT-6010	6"	1"	2.750	4.750	1.000
WTT-6012	6"	1 1/4"	3.000	4.875	1.000
WTT-6014	6"	1 1/2"	3.438	5.375	1.500
WTT-6020	6"	2"	3.750	5.125	1.250
WTT-6024	6"	2 1/2"	5.125	5.844	2.000
WTT-6030	6"	3"	5.125	5.594	1.750
WTT-6034	6"	3 1/2"	5.563	5.625	1.750
WTT-6040	6"	4"	6.125	6.375	2.500
WTT-6050	6"	5"	6.875	5.875	2.000
WTT-6060	6"	6"	8.500	6.375	2.500
WTT-8040	8" IPS OR 8" O.D.	4" IPS	6.125	6.656	2.000
WTT-8" O.D. - 8" O.D.	8" O.D.	8" O.D.	10.000	7.563	3.000

70093	06/13/2017	AS	HG	HPS	 <b>HUBBELL® POWER SYSTEMS</b>
EC #	DATE	CHG BY	RESP ENG		
DESC OF DWG: DRAWING CREATED IN AUTOCAD				CONFIDENTIAL: THIS DRAWING AND ITS CONTENTS ARE CONFIDENTIAL AND THE EXCLUSIVE PROPERTY OF HUBBELL POWER SYSTEMS. NO PUBLICATION, DISTRIBUTION OR COPIES MAY BE MADE WITHOUT THE WRITTEN CONSENT OF HUBBELL POWER SYSTEMS. HUBBELL POWER SYSTEMS UNPUBLISHED ALL RIGHTS RESERVED UNDER THE COPYRIGHT LAWS.	
REASON (S) FOR CHANGE: DISPOSITION OF MAT'L:				TITLE <b>WELDED ALUMINUM TEE CONNECTOR</b>	
SIZE <b>C</b>	DWG NO. <b>C-1297</b>	CAT / PART / ASSY NO. <b>WTT- (SEE TABLE)</b>		REV <b>52</b>	
DO NOT SCALE THIS DRAWING		DRN BY TB	DATE 10/2/56	SHEET 2 OF 2	